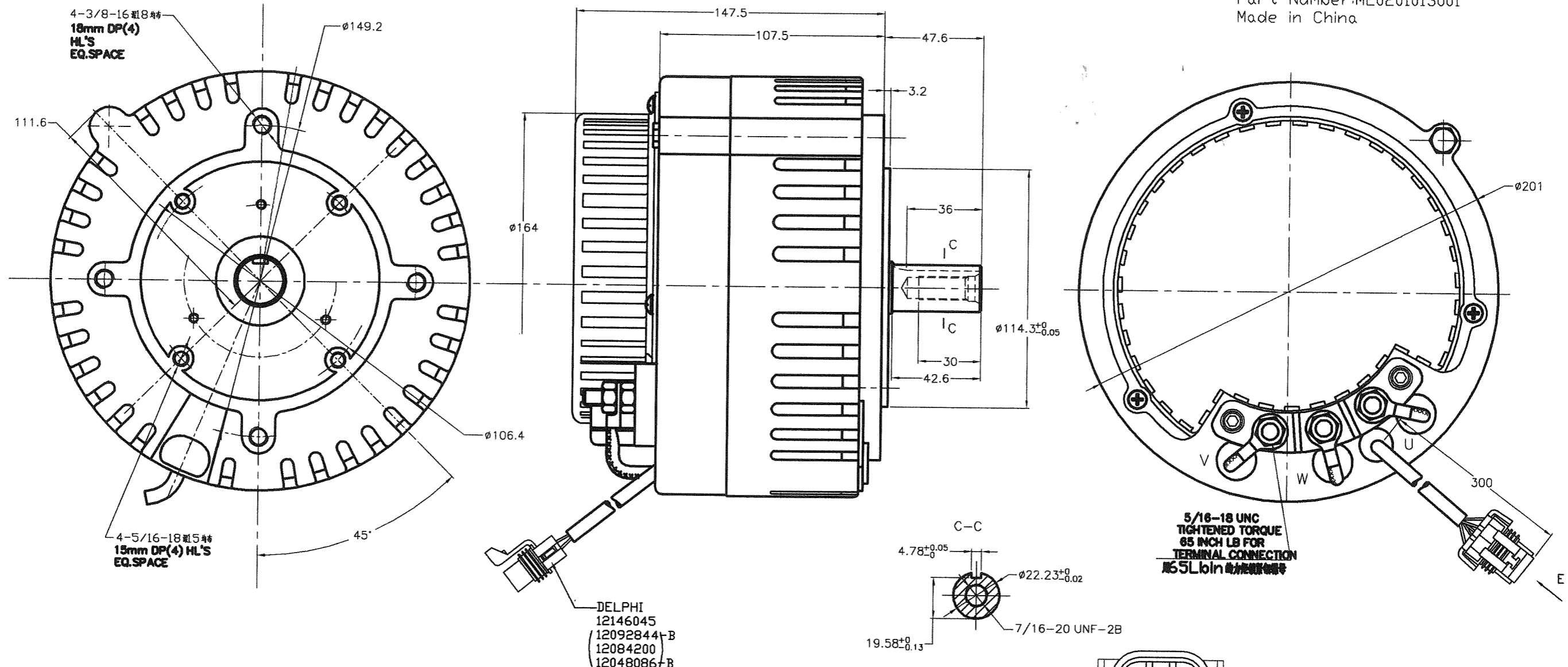


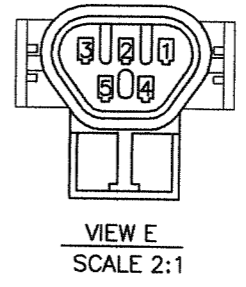
- 技术要求:
- 1、电机系单方向旋转,从轴伸端视为逆时针方向。
 - 2、每相20匝。
 - 3、电机前轴承型号采用NTN6006 LLUC3/5K(日本原装)。
 - 4、电机用聚苯乙烯泡沫和普通白盒包装,每台电机上应刻上铭牌。
 - 5、包装盒上需注: Date Code:xxxxxx

Part Number:ME0201013001
Made in China



NOTES:
1.CCW FAN
2.TURNS IS 20 PER PHASE
3.Front bearing: NTN6006 LLUC3/5K (Made in Japan)
4.Product to be shipped in plain white box, styrofoam packaging
Include Dyno Plot of namecard for each motor.
5.Box to be marked:
Date Code: XXXXXXX
Part Number: ME0201013001
Made in China

NAMECARD DATA
PART # ME0201013001
DATE CODE XXXXXX
SERIAL #:XX.XX.XXXX
Mars Electric LLC
Milwaukee, WI USA



PIN LOCATION 插孔点	WIRE DESIGNATION 导线标记	WIRE COLOR 导线颜色	REMARKS 注释
1	S1(U1)	WHITE	---
2	S2(U2)	GREEN	---
3	S3(U3)	BLUE	---
4	GND (0)	BLACK	SHIELD TIED TO THIS PIN
5	V _{cc} (+12)	RED	---

REV.	CHANGES	BY	ECO NO.	DATE	DO NOT SCALE DRAWING THIS DRAWING IS PROPRIETARY PROPERTY OF MARS ELECTRIC LLC CORPORATION DISCLOSED IN CONFIDENCE. WHICH MAY NOT BE USED OR DISCLOSED WITHOUT PERMISSION. RETURN PROMPTLY AFTER USE.	DIMENSIONING AND TOLERANCING PER ANSI Y14.5M-1994	CLASSIFICATION OF CHARACTERISTICS CRITICAL (C): EMISSIONS (E): MAJOR (M):	MATERIAL	TITLE OUTLINE 8BL2000-20 永磁式无刷直流盘式电动机 外形图	Mars Electric LLC MILWAUKEE, WISCONSIN, U.S.A.
-	-	-	-	-	-	-	-	-	DRAWN: XIXING 05.09.23	-
-	-	-	-	-	-	-	-	-	APPR:	-
-	-	-	-	-	-	-	-	-	DEPT:	-
-	-	-	-	-	-	-	-	-	SCALE:	-
-	-	-	-	-	-	-	-	-	-	DESIGN VENDOR: -
-	-	-	-	-	-	-	-	-	-	ME0201013001 OJWT.300.117
-	-	-	-	-	-	-	-	-	-	REV 1 SHEET 1 OF 1